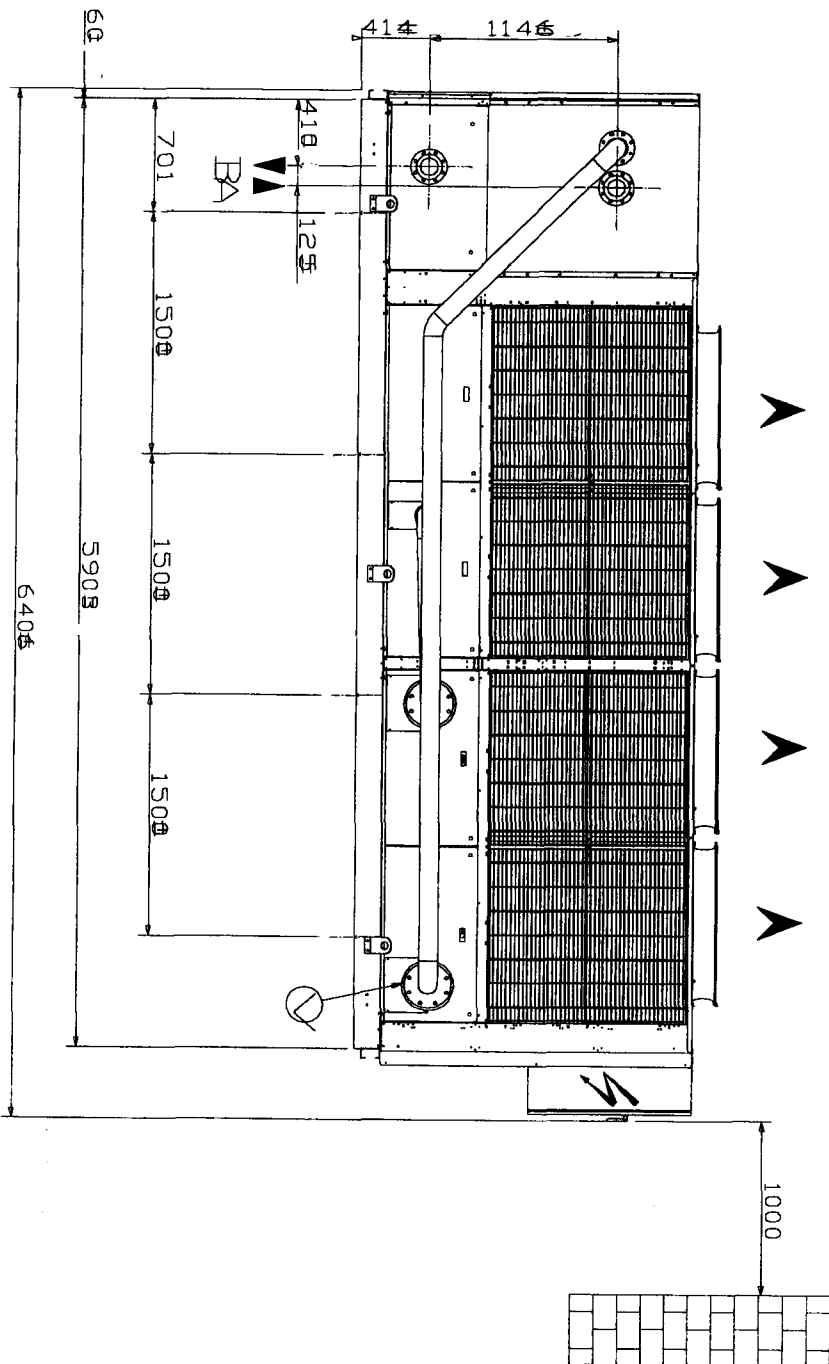
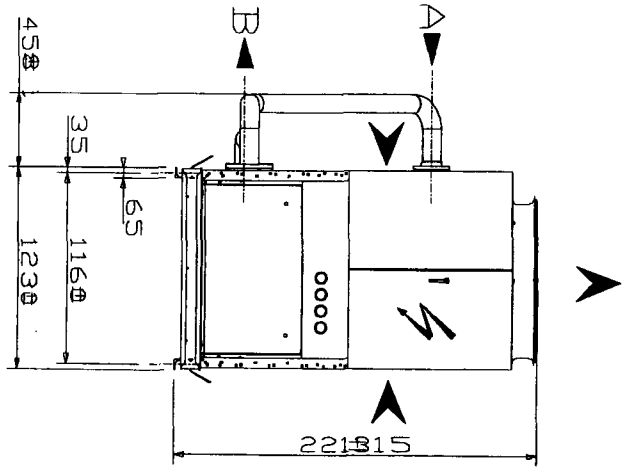


DM18120

MCH2P04H1S00R050P010

Inch Date	Nom	Modification
01/01/01	-	Emission initiale



# PLAN D'ENSE

Designateur	Ech.	Fluid	/407/6
Date: 06-Jun-	CH2P04H1S00R0501		